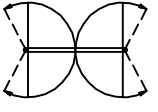
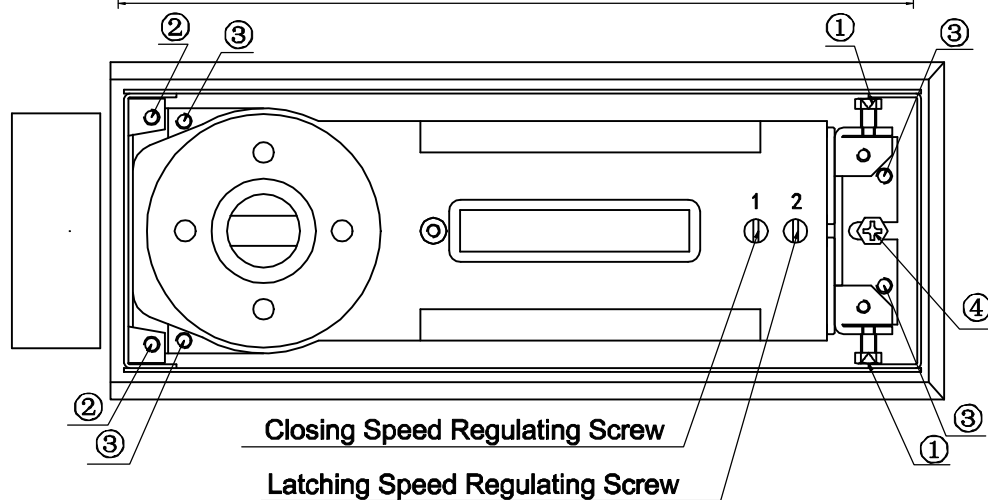
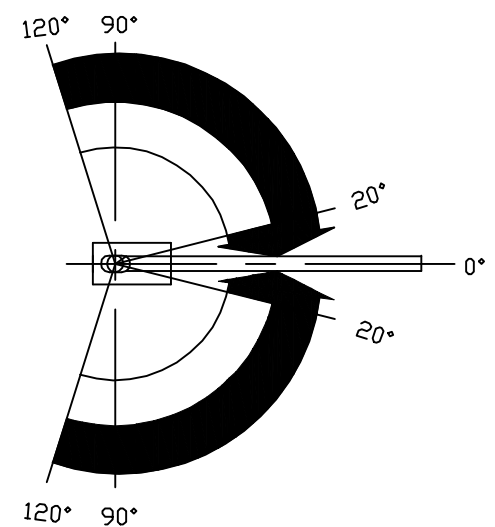
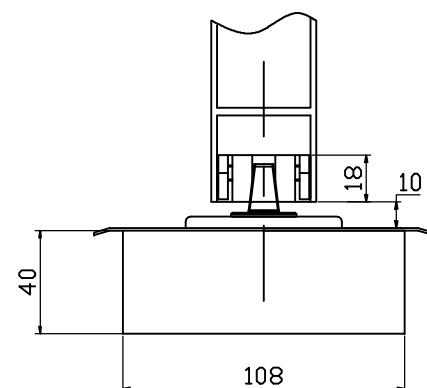
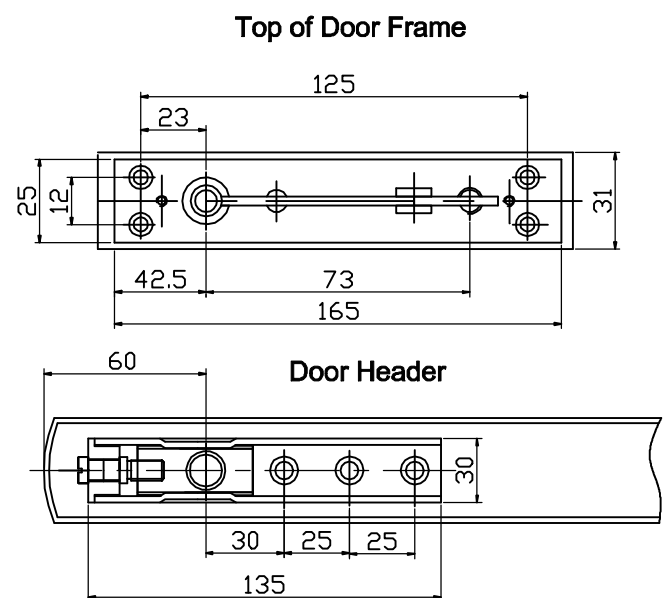
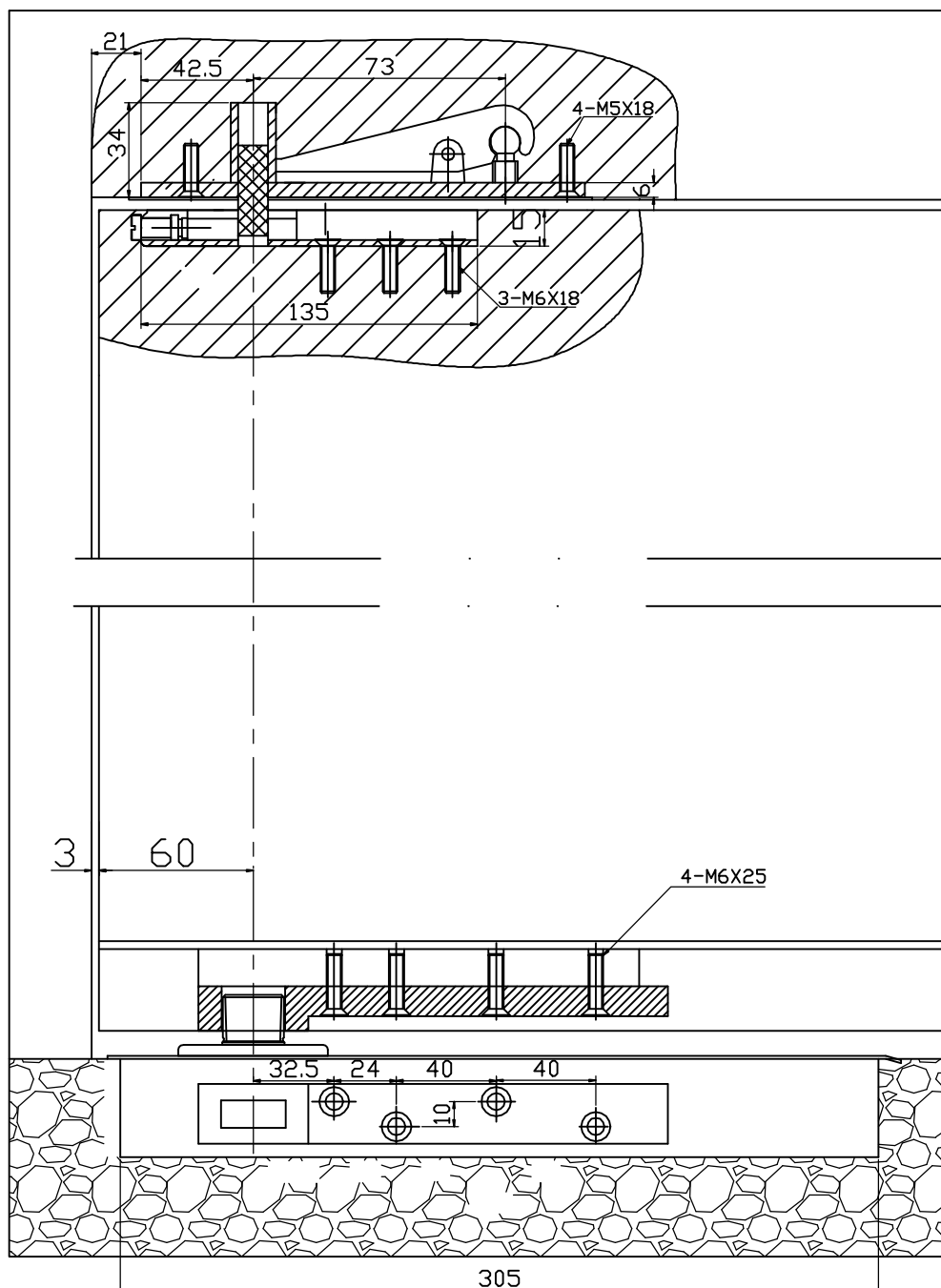


ARTICA FSA1001 Installation Instructions

Mounting Method	Model No.	Max. Door Width	Max. Door Weight
Double Action Door Mounting  Max. Opening Angle: 120° Hold Open Angle: 90°	EN2#	850MM	80KGS
	EN3#	1100MM	120KGS
	ARTICA FSA1001 EN4#	1250MM	150KGS



- ①. Adjust the door leaf to the center position of door frame
- ②. Fastening Screw
- ③. Height Adjustment Screw
- ④. Fixing Screw

Adjustment of Door Leaf and Closing Speed

1. Adjust fastening screws and fixing screw to make the centre position of the top centre and floor pivot on the same vertical axis.
2. Adjust screws ① to make door leaf close at the right position on the axis.
3. Adjust screws ③ to make bottom of door leaf parallel to the floor and floor spring.
4. Turn closing speed regulating screw 1 and latching speed regulating screw 2 clockwise to slow down, counter-clockwise to speed up.