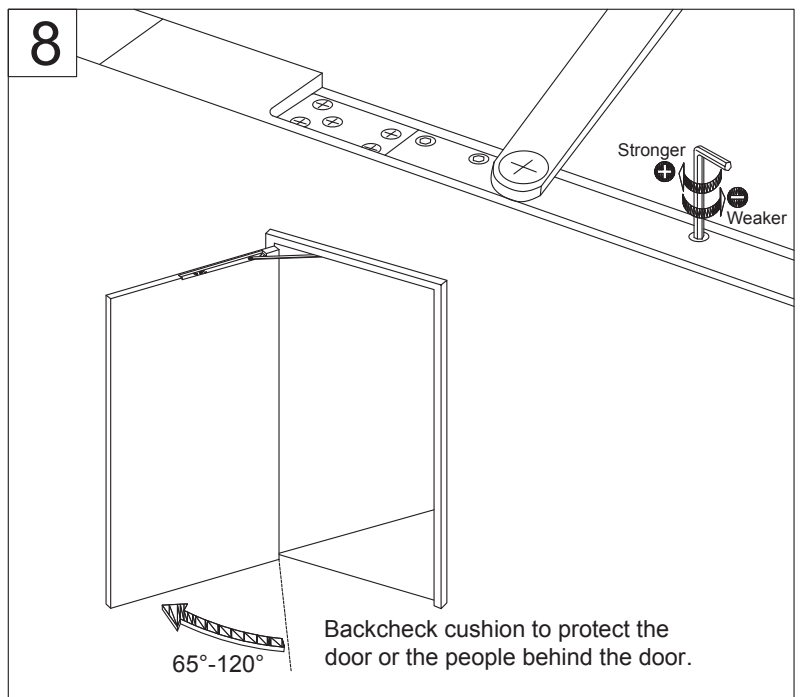
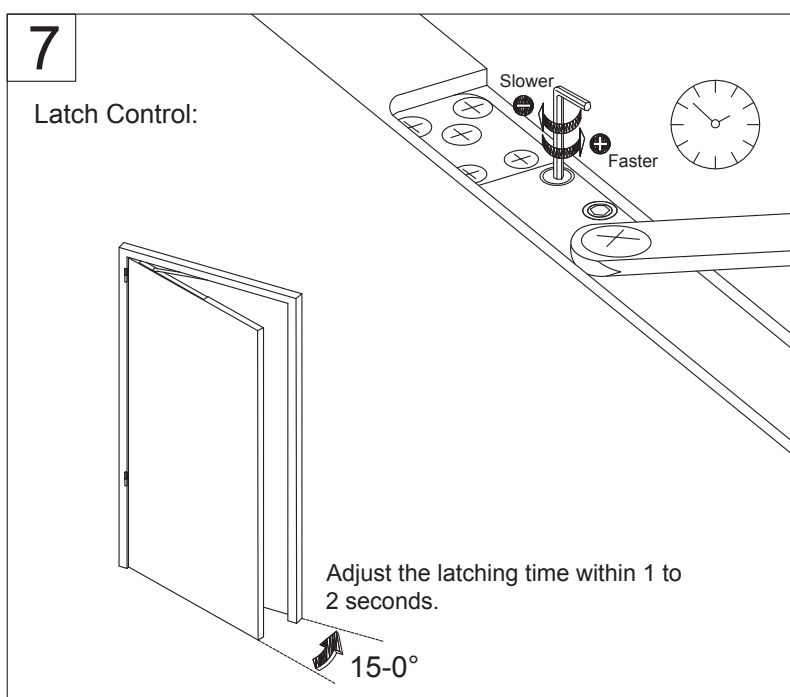
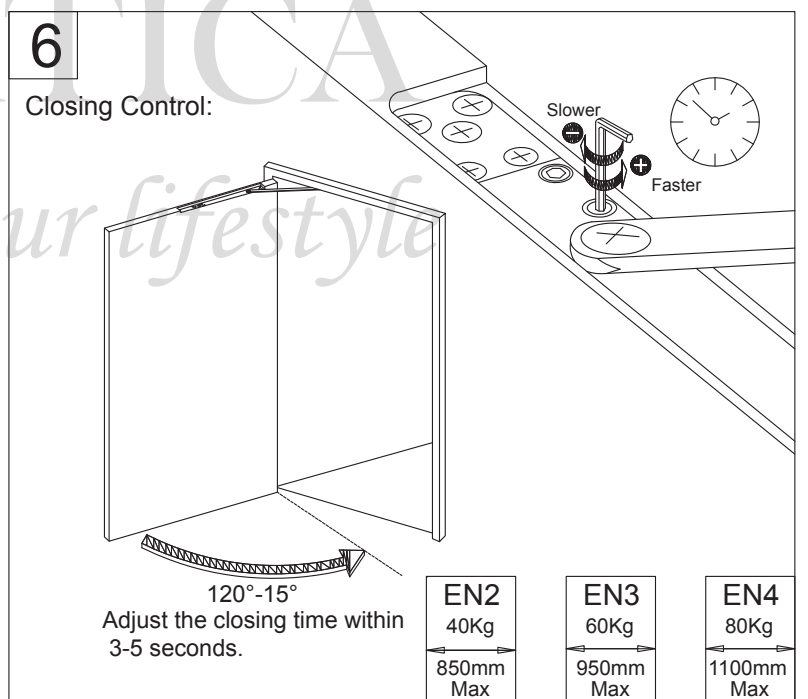
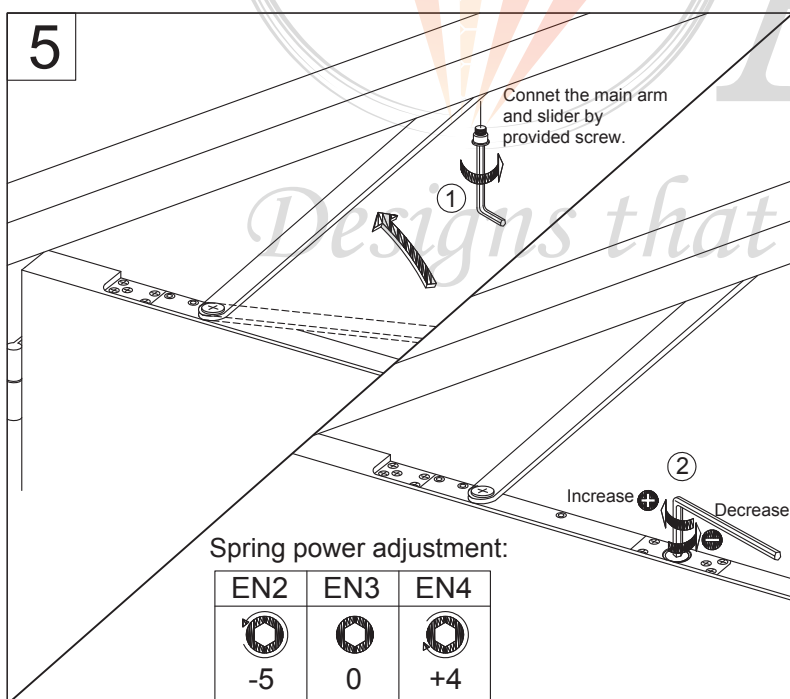
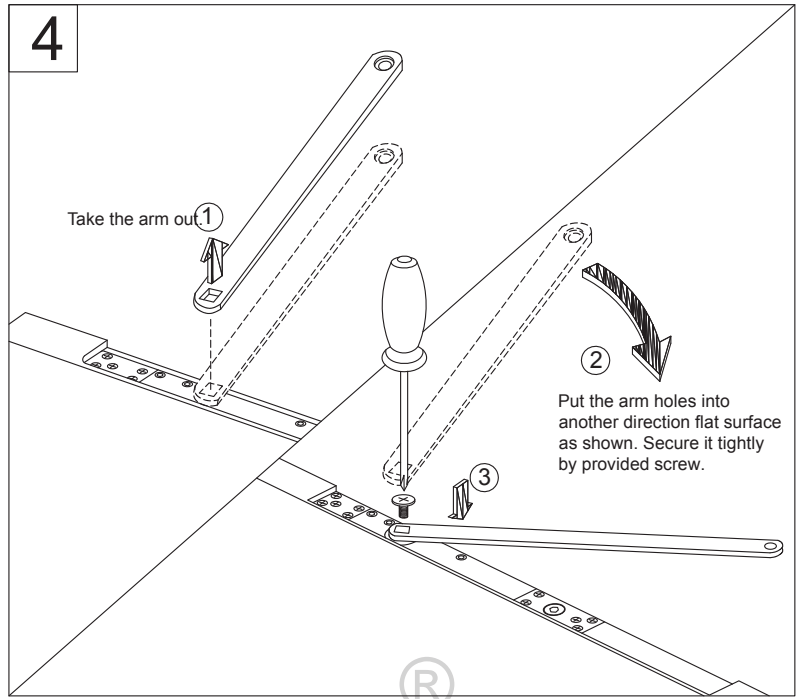
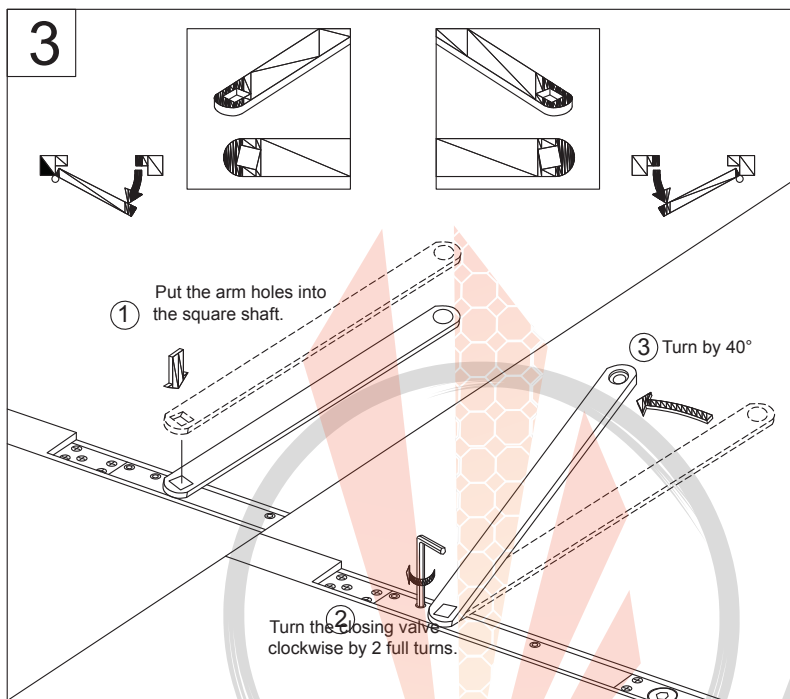
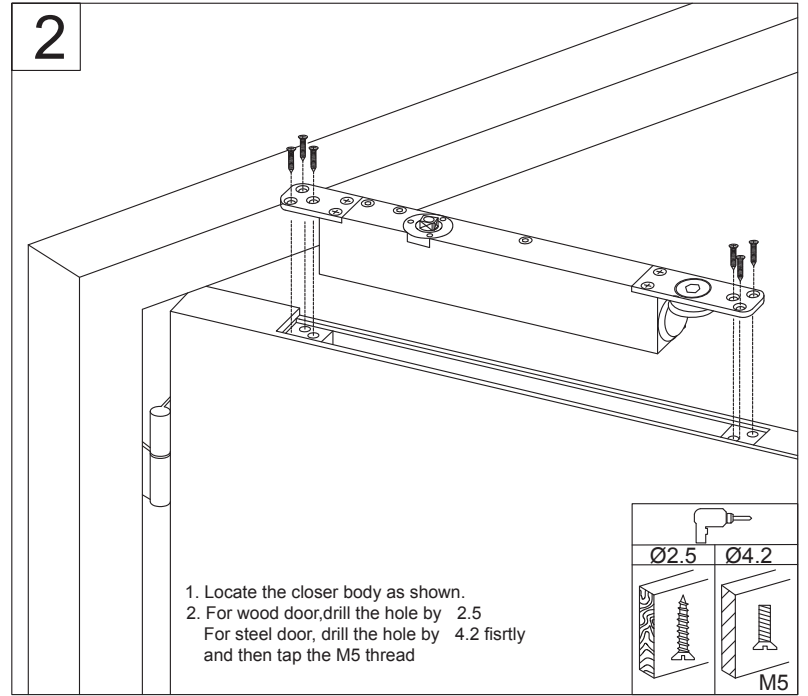
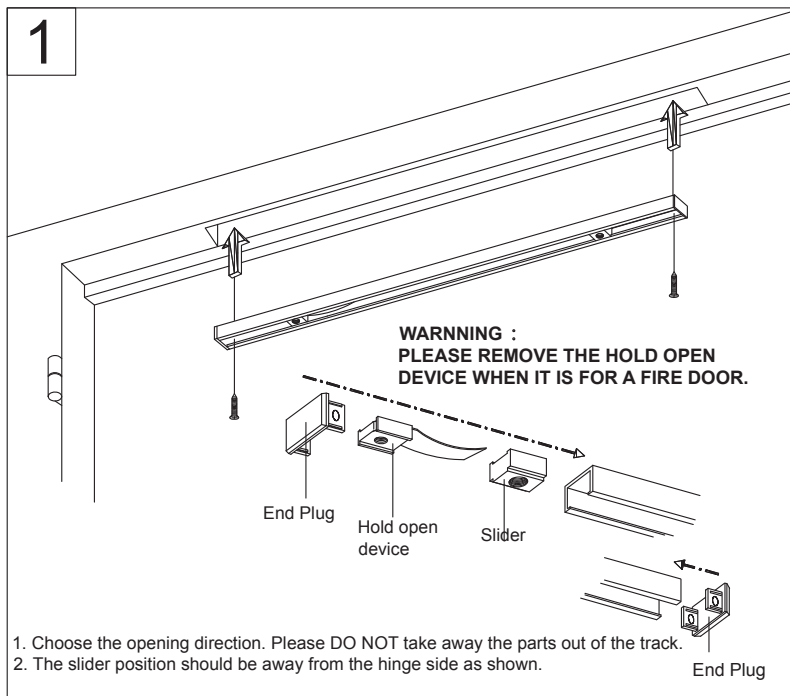


ARTICA

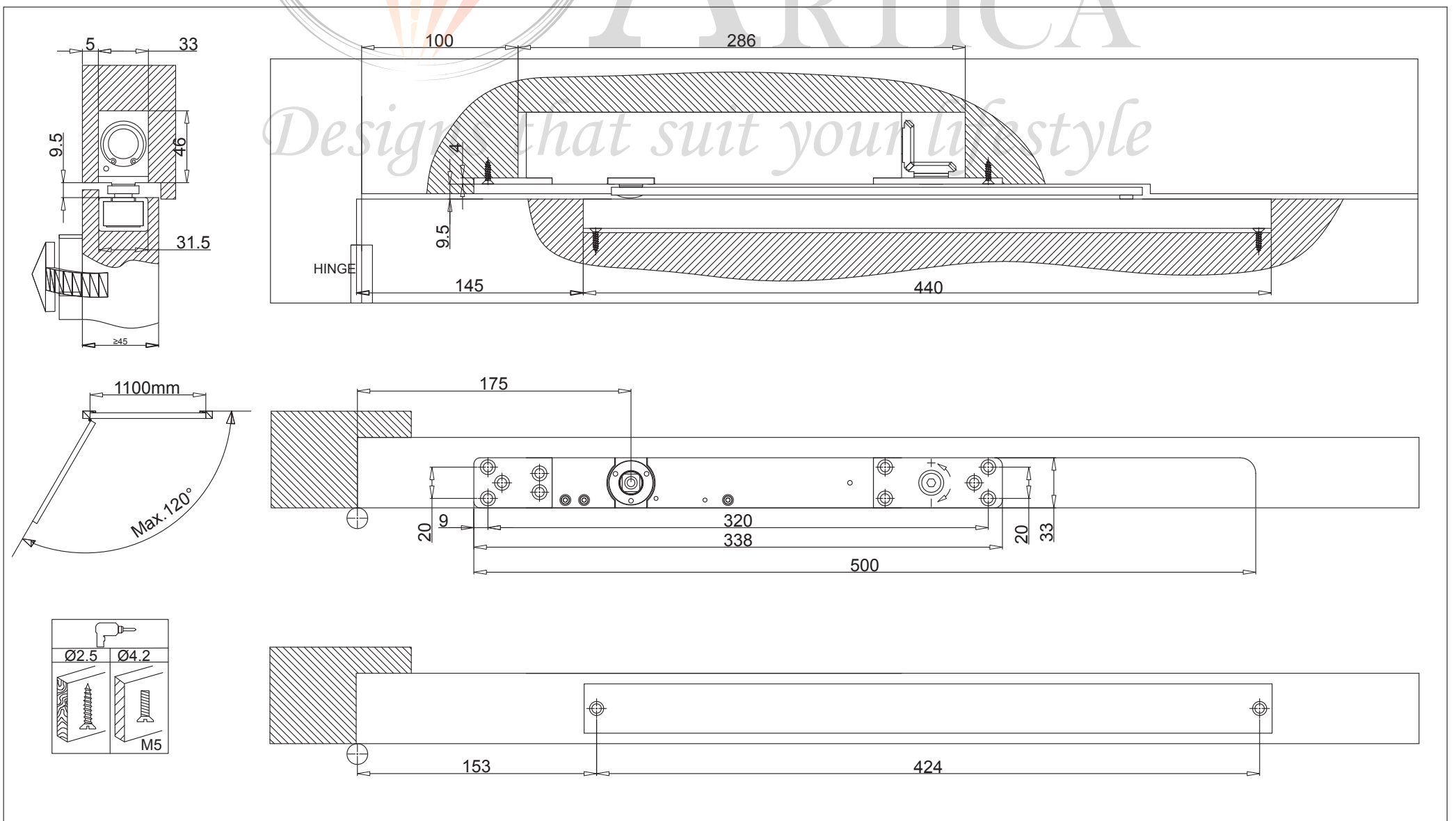
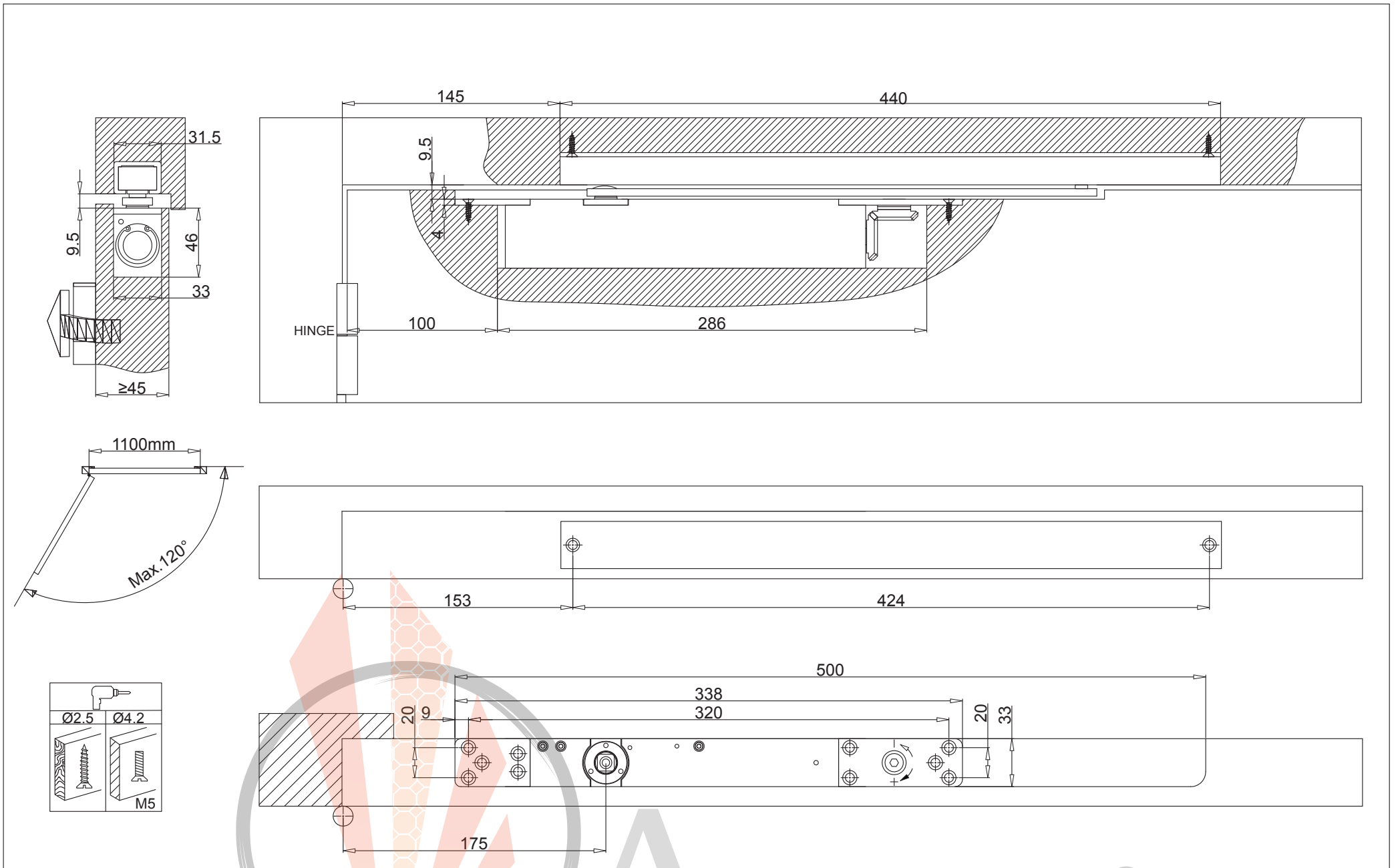
CNDC85CA Series Installation Guide



ARTICA

CNDC85CA Door Closers Installation Instructions

Adjustable Spring Power Size 2 to 4, Backcheck, Cam Action



WARNING: .When the door is being closed, please do not exert any extra force ON THE DOOR.

1. Otherwise the closer can be broken.
2. Please install the door closer according to the installation instructions.



Caution

Door weight: 25 -85 Kgs