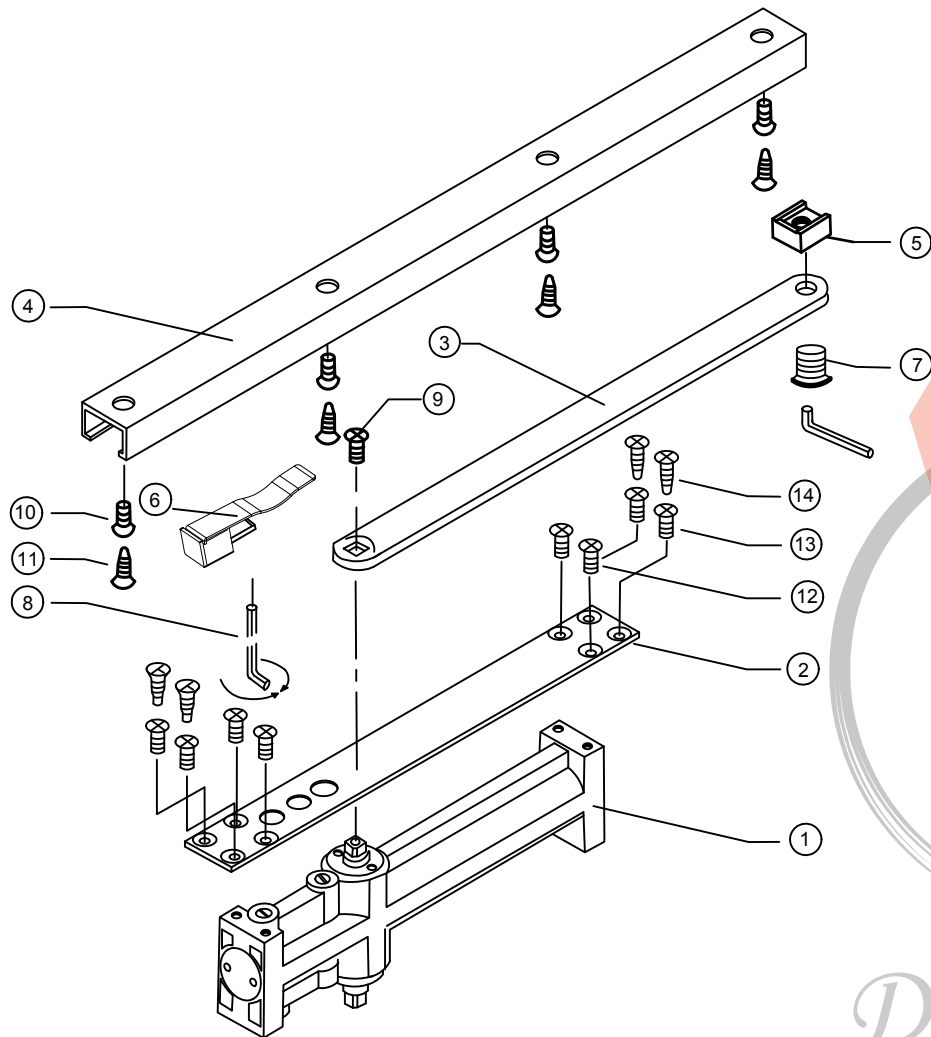


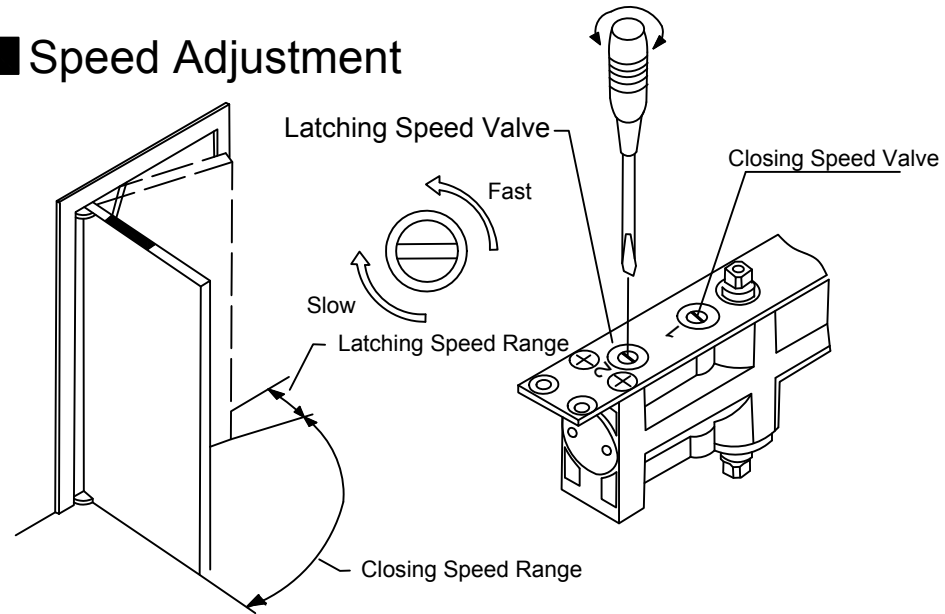
ARTICA

■ Description of Spare Parts

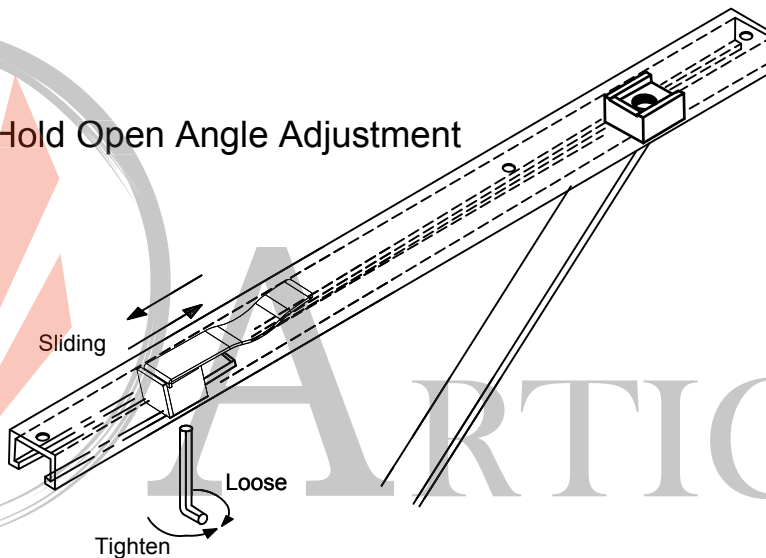


NO	Description	QTY
①	Body	1
②	Fixing Plate	1
③	Main Arm	1
④	Slide Track	1
⑤	Slider	1
⑥	Hold Open Module	1
⑦	⊕ Fixing Bolt M8X1	1
⑧	⊖ Hexagonal Spanner 5mm	1
⑨	⊕ Screw M6x12L	1
⑩	⊕ Screw M5x15L	4
⑪	⊕ Self-drilling Screw ST4.8X25	4
⑫	⊕ Screw M5x12L	4
⑬	⊕ Screw M5x15L	4
⑭	⊕ Self-drilling Screw ST4.8X25	4

■ Speed Adjustment



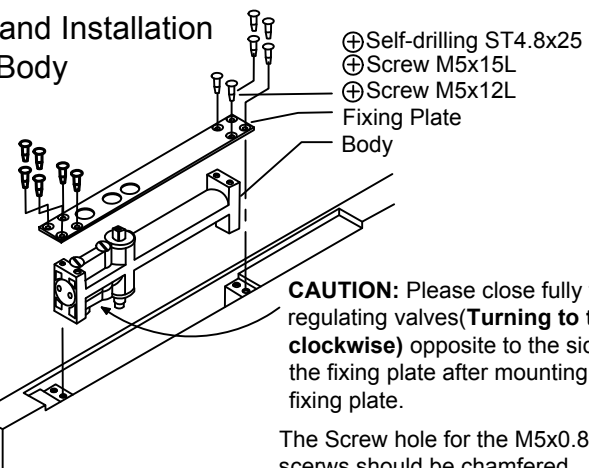
■ Hold Open Angle Adjustment



■ Non-Handed

■ Installation Steps

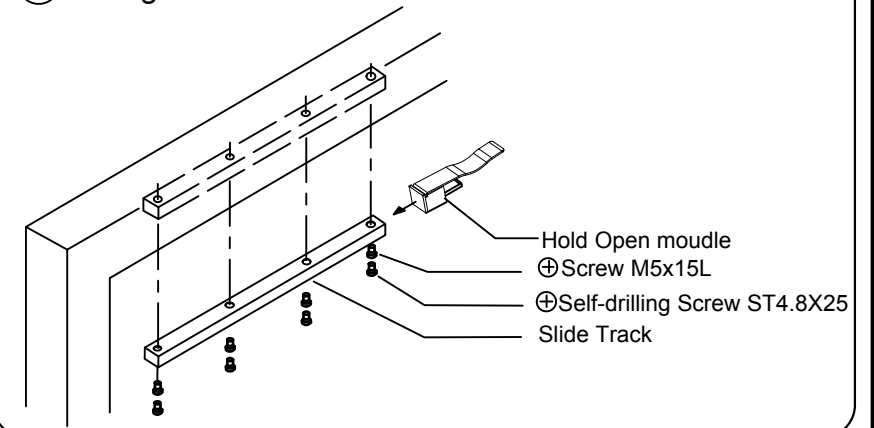
① Fixing and Installation of the Body



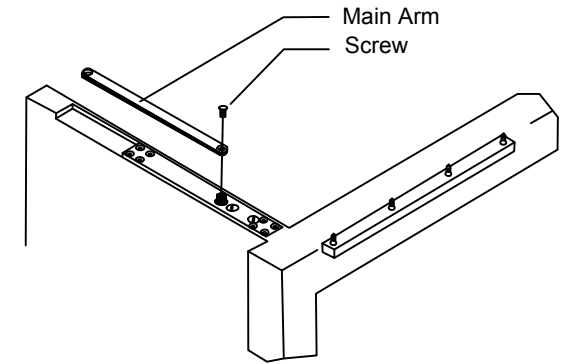
CAUTION: Please close fully the regulating valves (Turning to the end clockwise) opposite to the side of the fixing plate after mounting of the fixing plate.

The Screw hole for the M5x0.8 screws should be chamfered

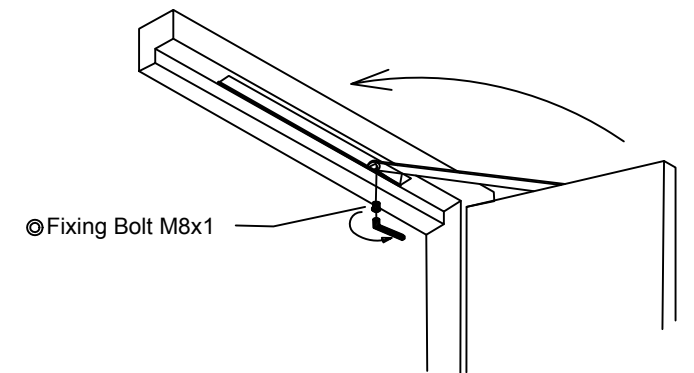
② Fixing and Installation of the Slide Track



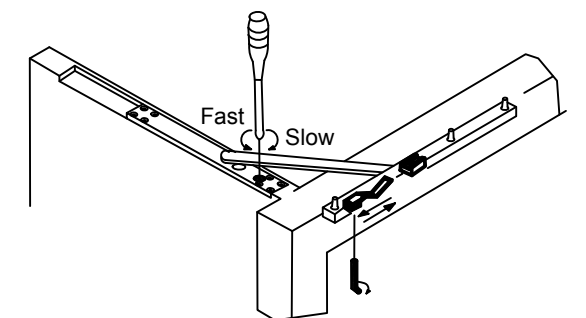
③ Combining the Main Arm and Body



④ Combining the Main Arm and the Slider in the track



⑤ Opening Angle and Closing Speed Adjustment

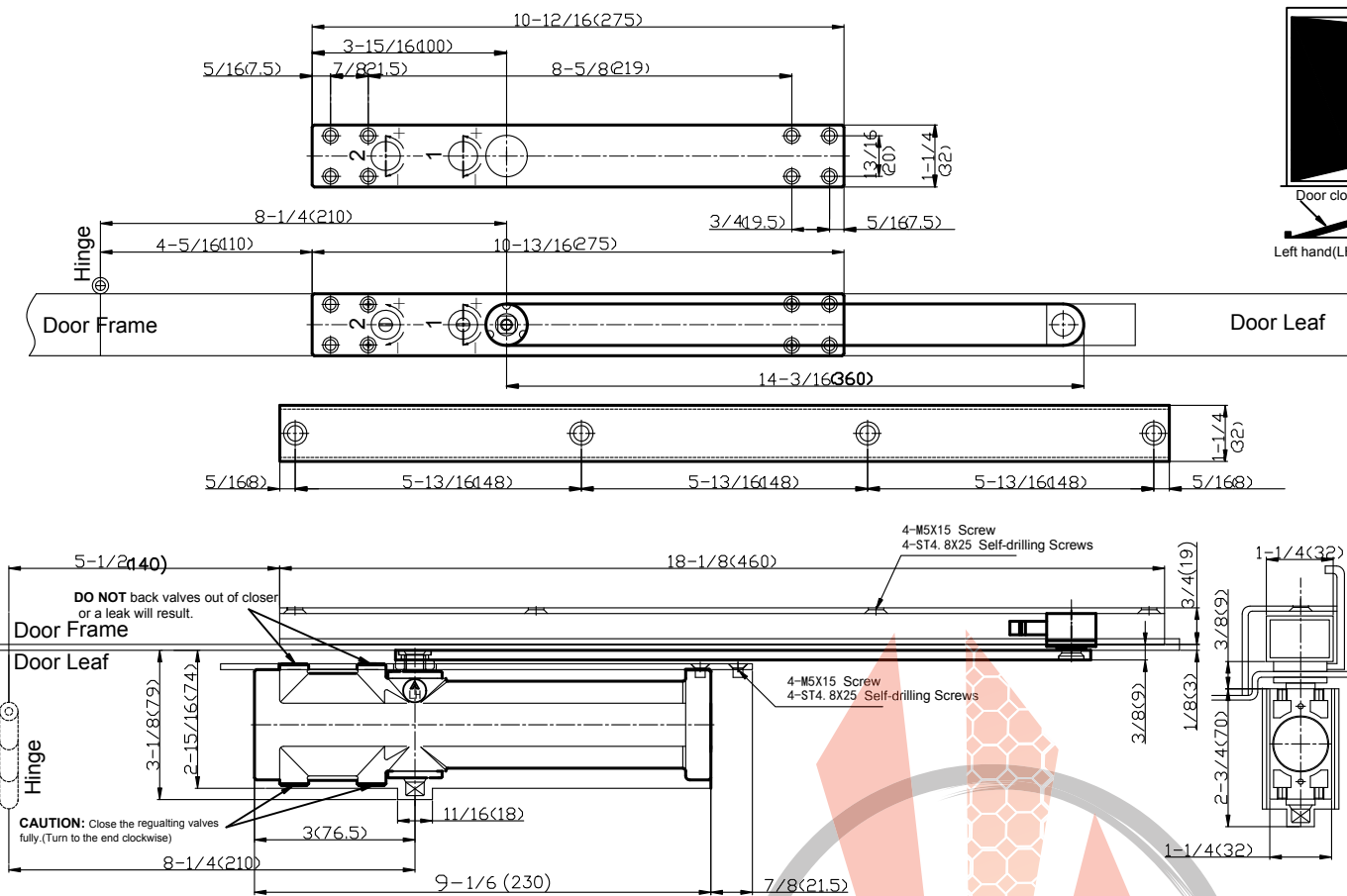


ARTICA®
Designs that suit your lifestyle

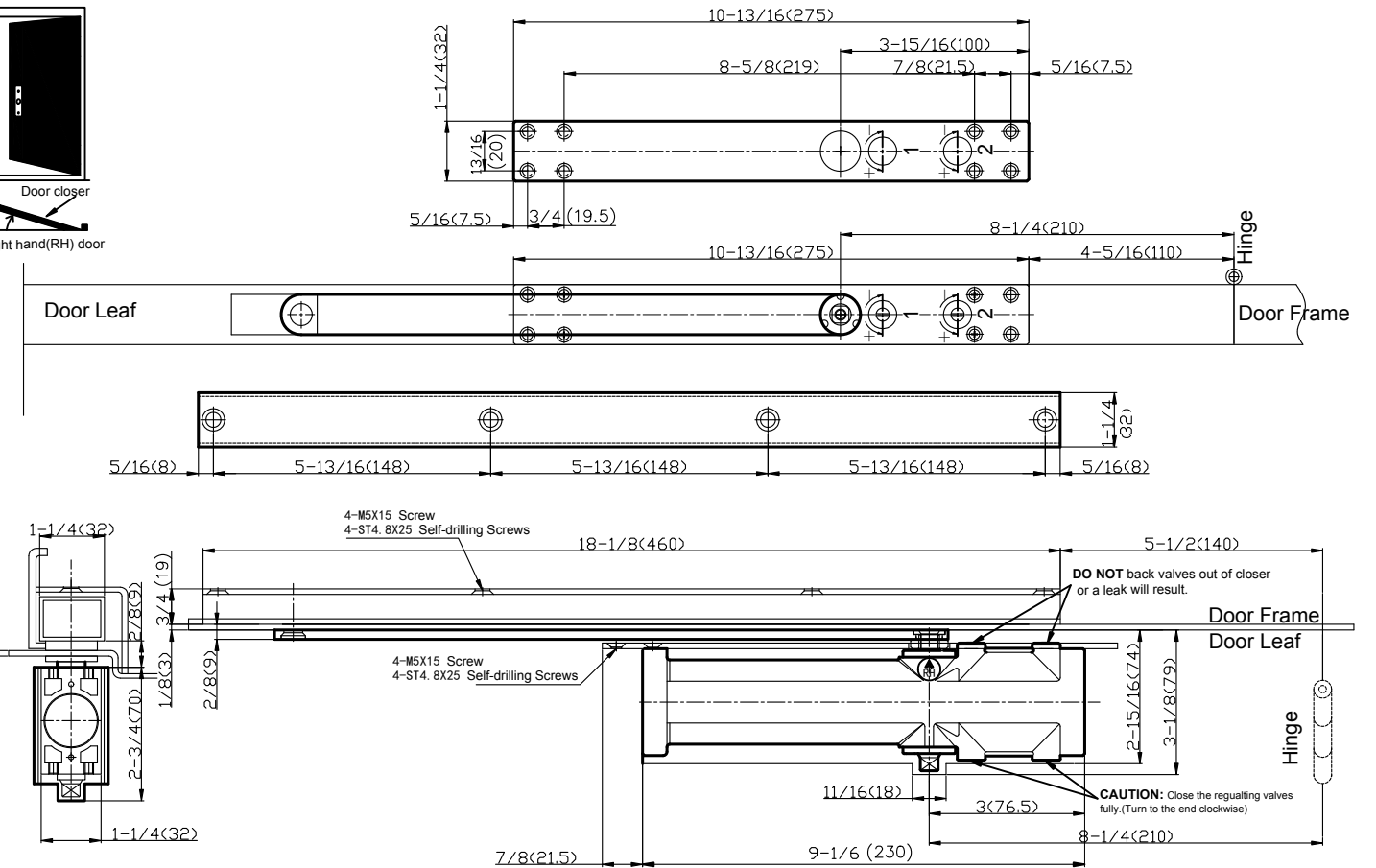
ARTICA CNDC65 SERIES CONCEALED DOOR CLOSER INSTALLATION INSTRUCTIONS

SIZE3

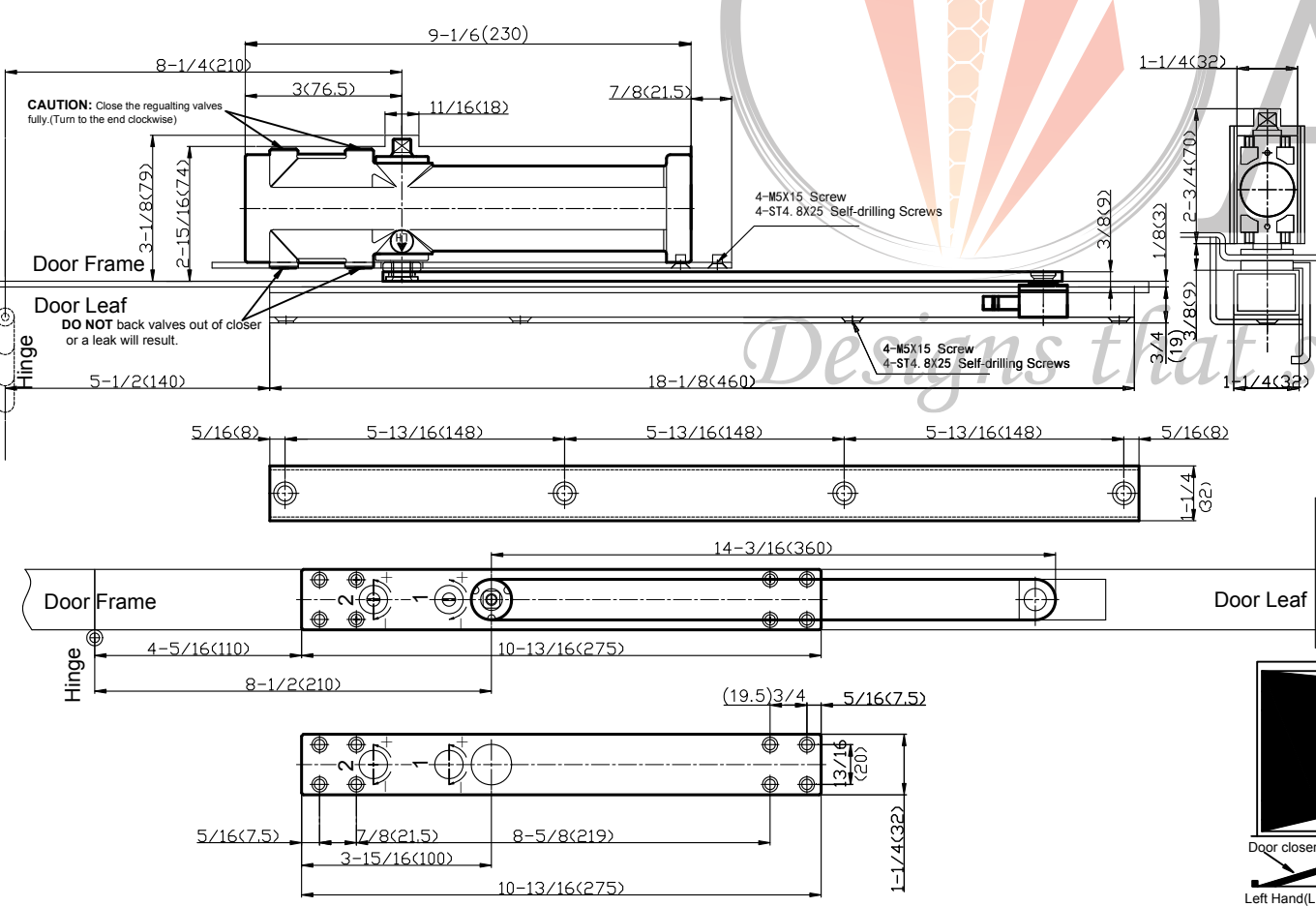
Standard Mounting of left Hand (LH)-View from Push Side



Standard Mounting of Right Hand (RH)-View from Push Side



Top Jamb Mounting of left Hand (LH)-View from Push Side



Top Jamb Mounting of Right Hand (RH)-View from Push Side

