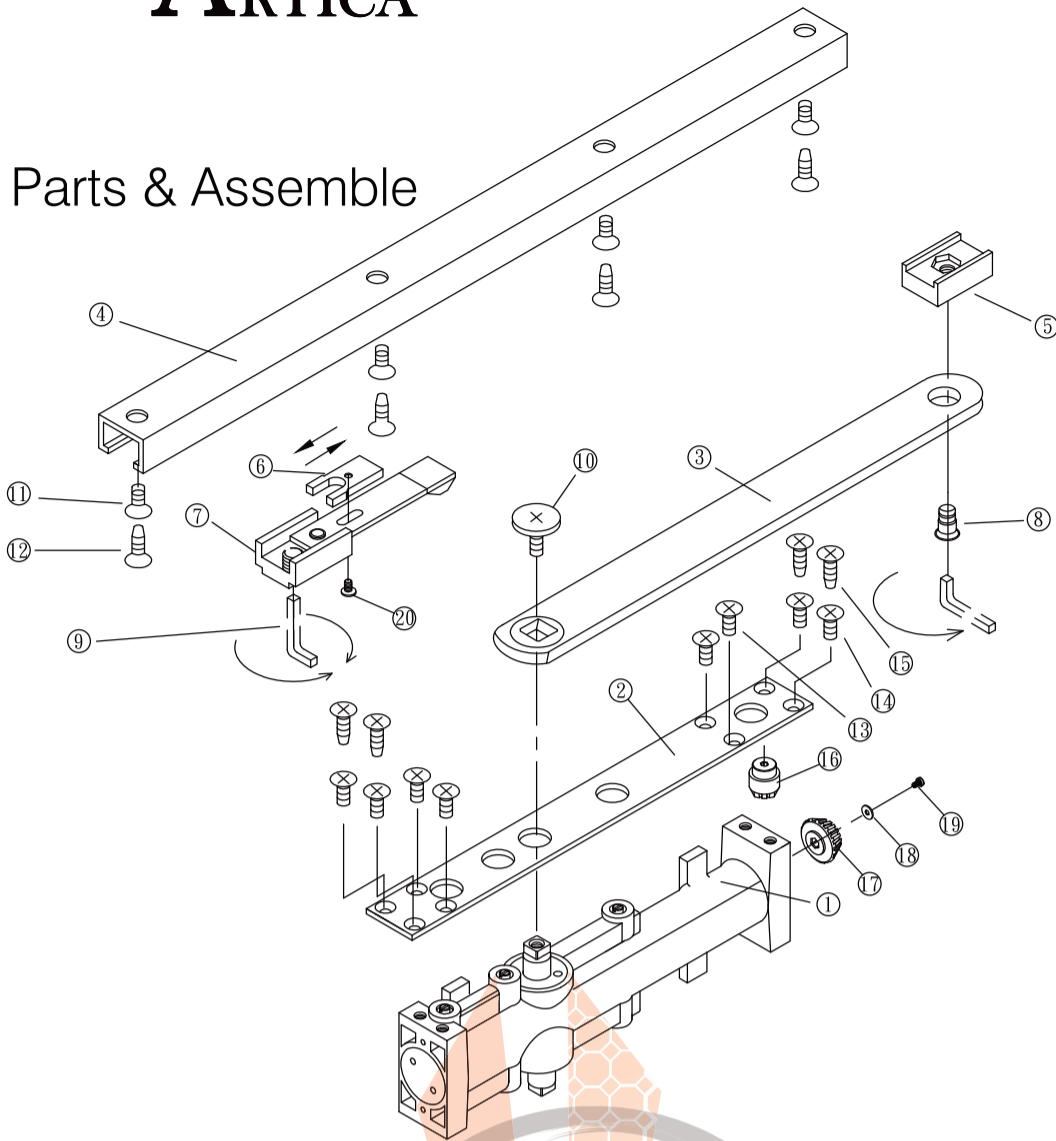
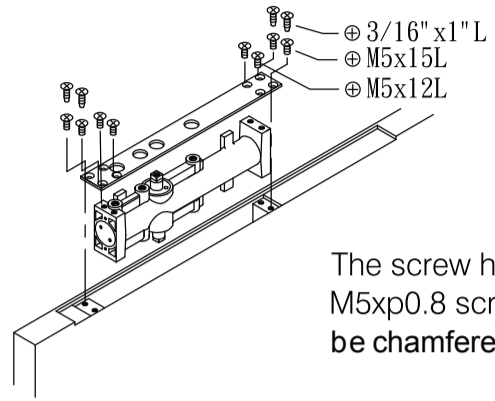


## CNDC120 SERIES INSTALLATION INSTRUCTIONS

### Parts & Assemble

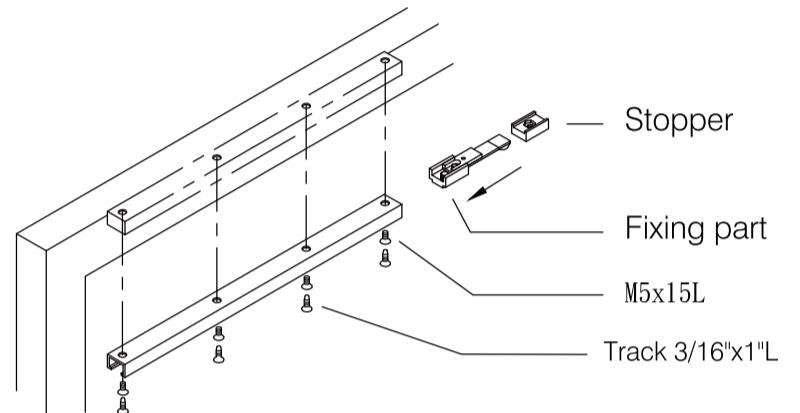


#### 1 Fixing & Installation of Closer Body

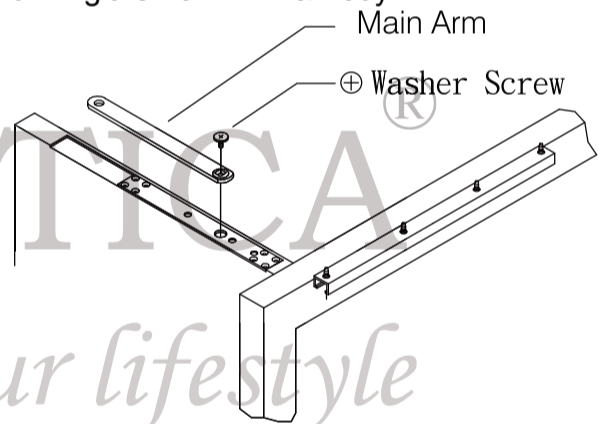


The screw holes for the M5x0.8 screws should be chamfered.

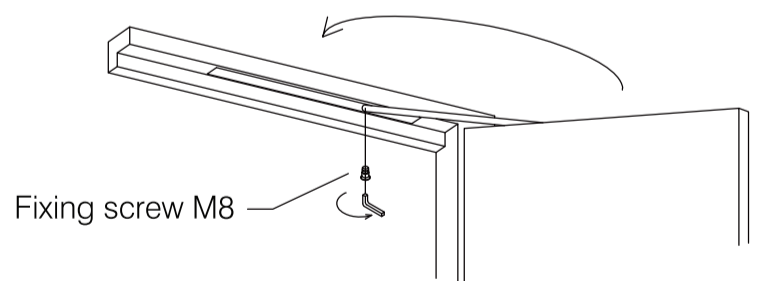
#### 2 Fixing & Installation of Slider Track



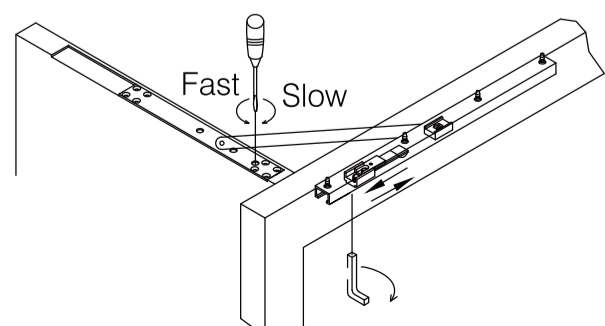
#### 3 Combining the Main Arm & Body



#### 4 Combining the Main Arm & Slider

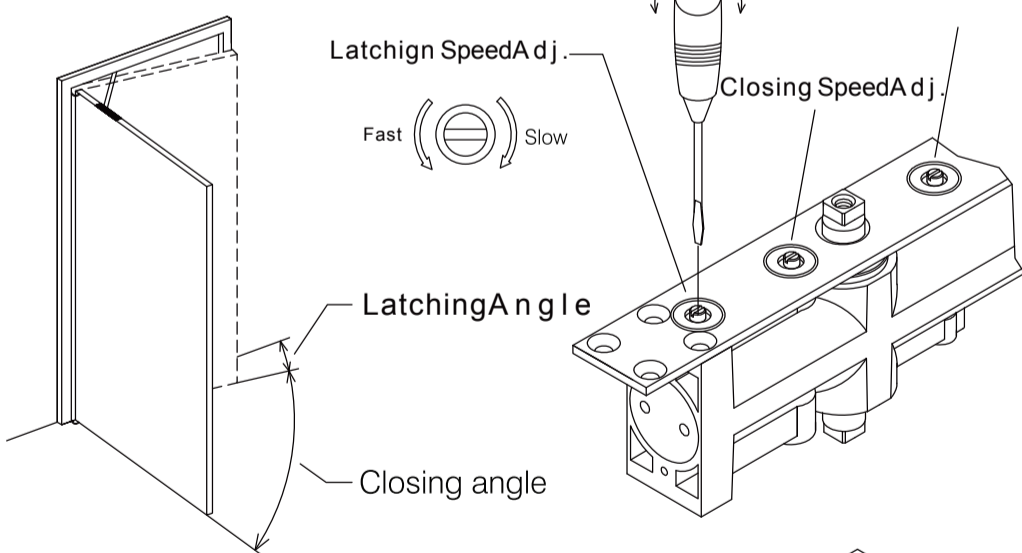


#### 5 Opening Angle & Closing Speed Adjustment

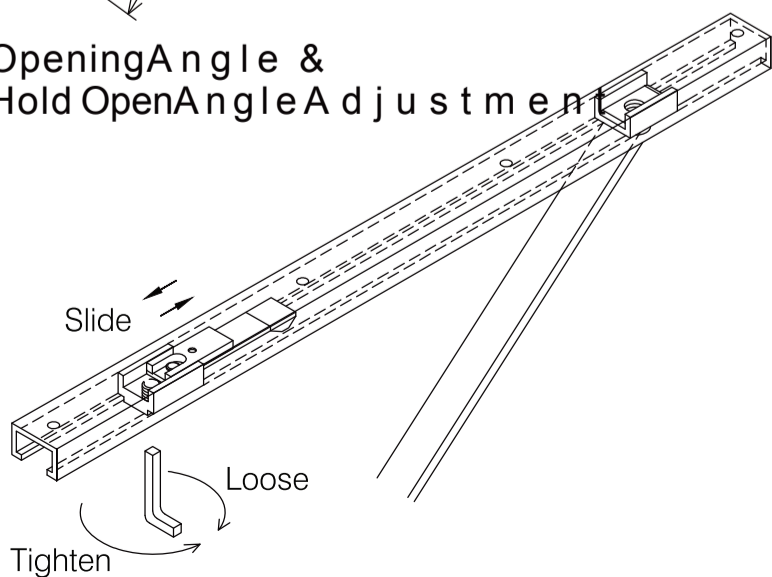


NO	Parts	QTY	NO	Parts	QTY
①	Body	1	①	M5x15L	4
②	Fixing Plate	1	②	3/16" x 1" L (wooden screw)	4
③	Main Arm	1	③	M5x12L	4
④	Track	1	④	M5x15L	4
⑤	Stopper	1	⑤	3/16" x 1" L	4
⑥	Valve Plate	1	⑥	Up Gear	1
⑦	Fixing Part	1	⑦	Down Gear	1
⑧	Fixing Screw M8	1	⑧	Washer	1
⑨	Wrench 5mm	1	⑨	M4x8L	1
⑩	Washer Screw	1	⑩	M3x5L	1

### SPEED Adjustment

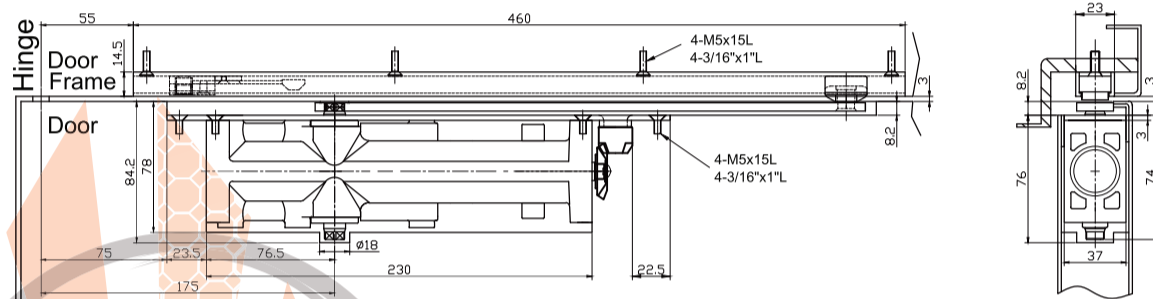
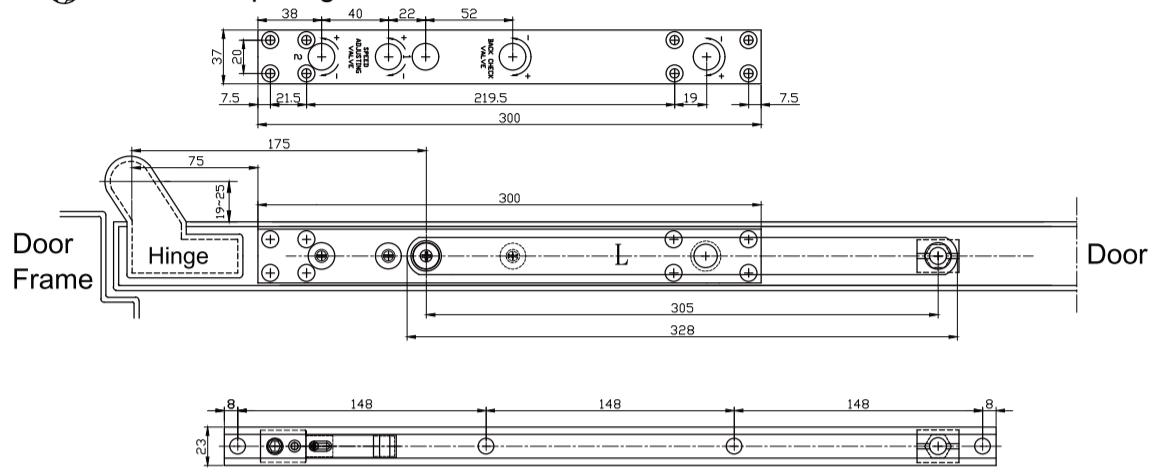


### Opening Angle & Hold Open Angle Adjustment

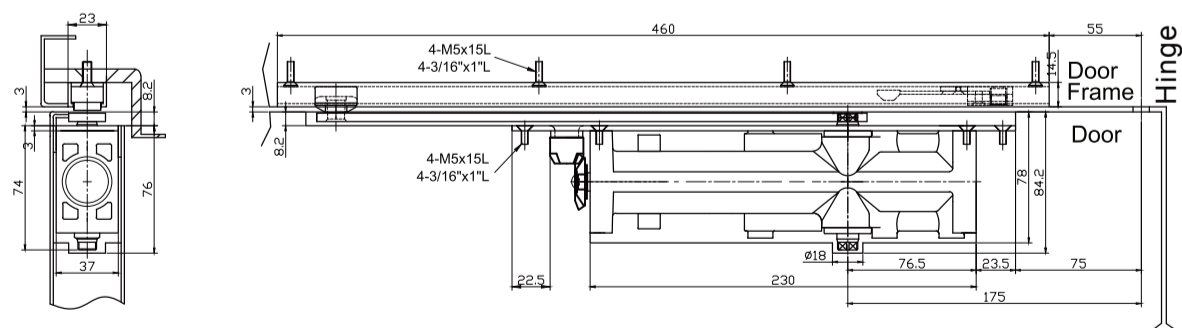
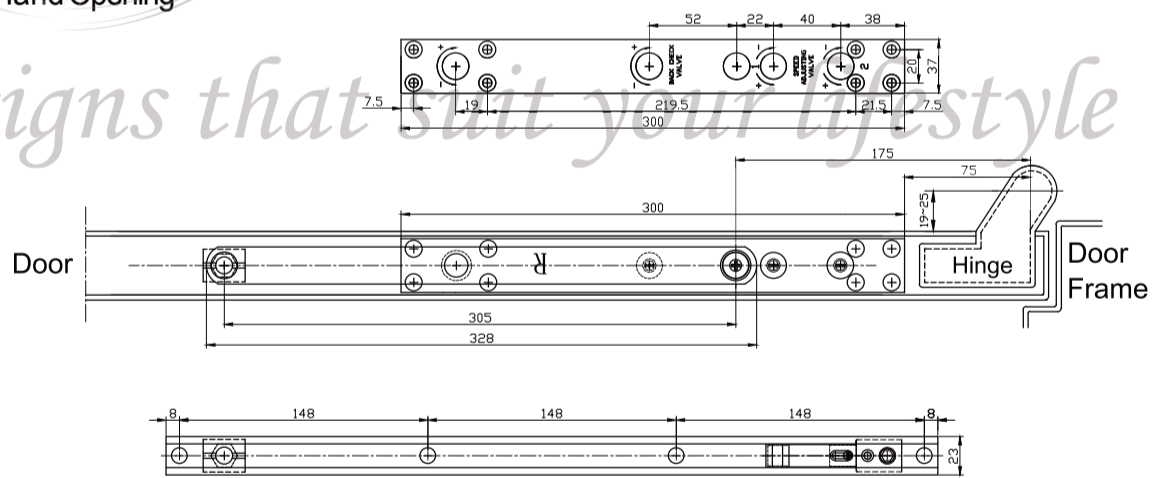


# ARTICA CNDC120 SERIES INSTALLATION INSTRUCTIONS

## Left Hand Opening



## Right Hand Opening

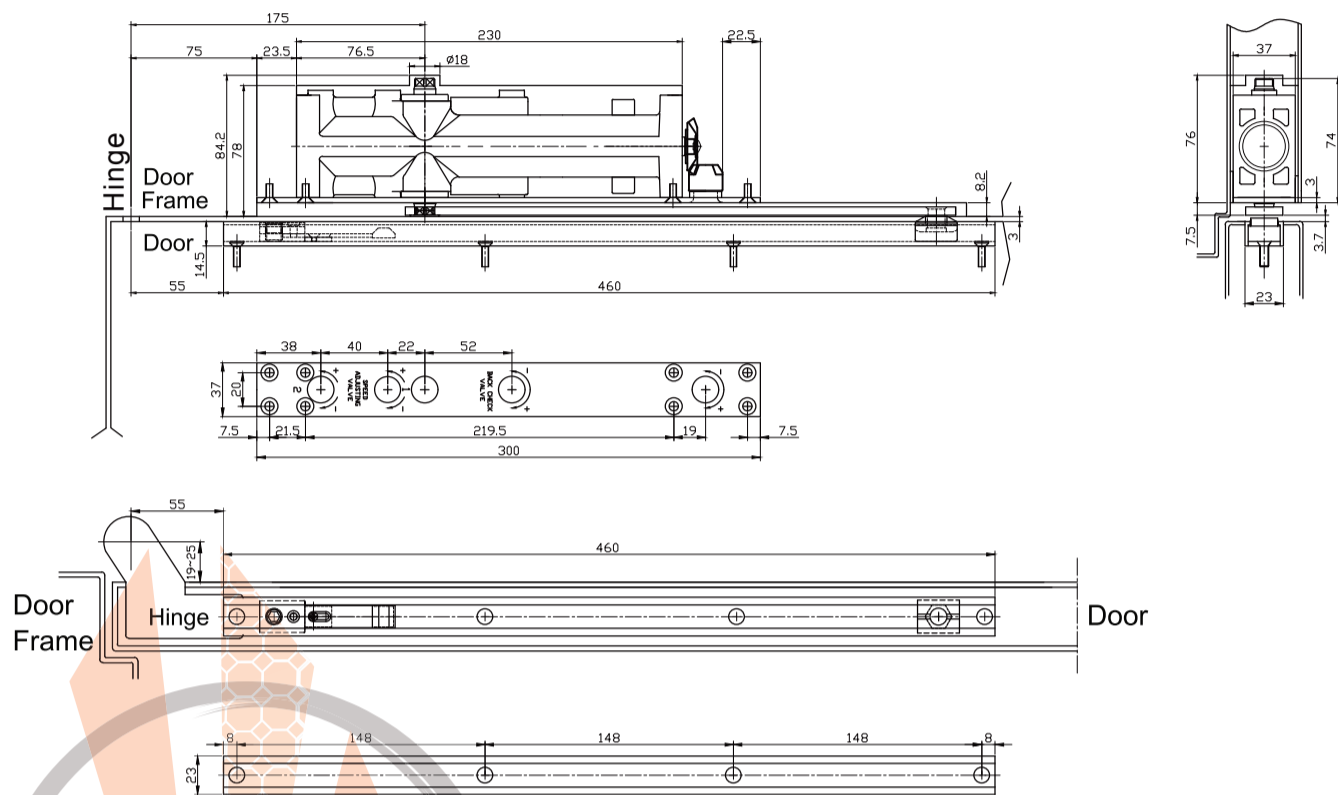


# ARTICA

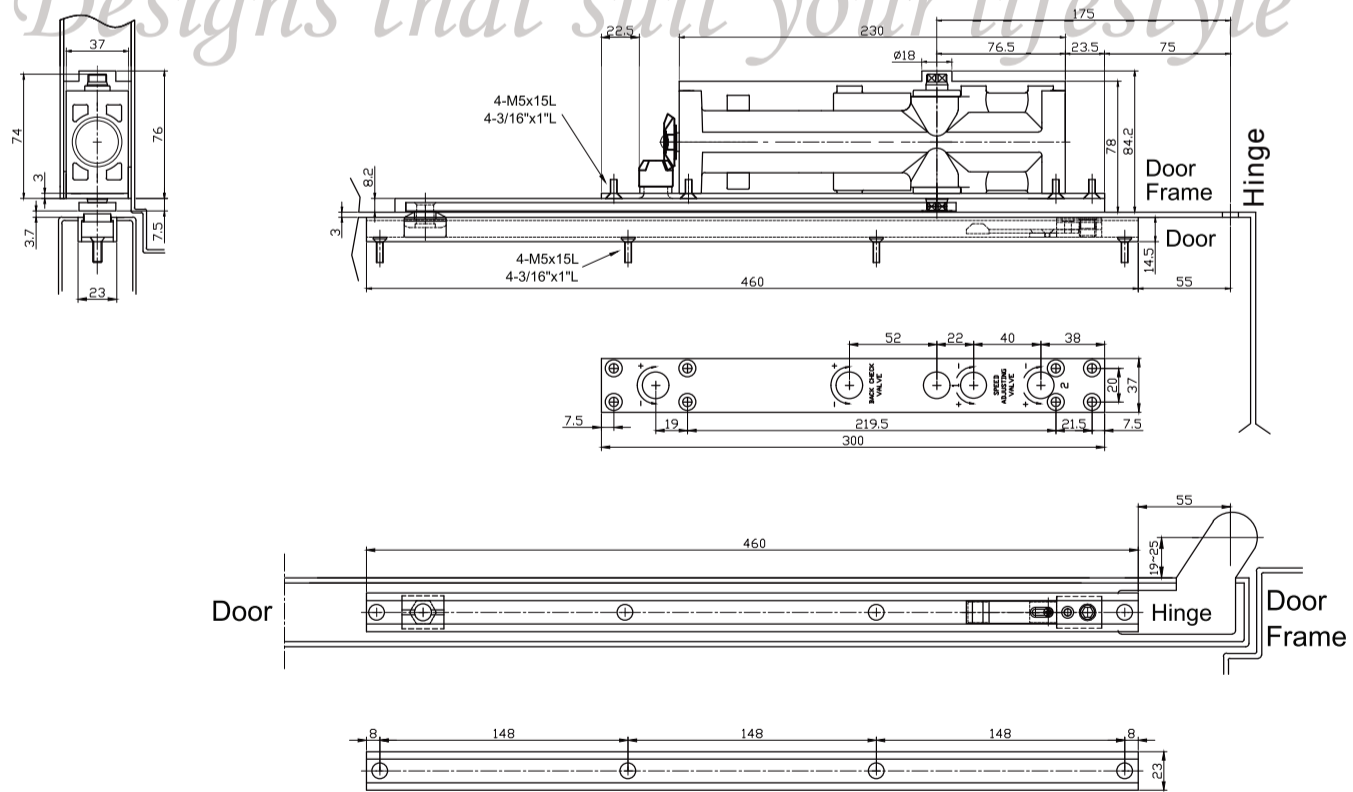
*Designs that suit your lifestyle*

# ARTICA CNDC120 SERIES INSTALLATION INSTRUCTIONS

## Left Hand Opening (Top Jamb Installation)



## Right Hand Opening (Top Jamb Installation)



# ARTICA

*Designs that suit your lifestyle*